

Semiconductor manufacturing line,
HVAC control ...

KS2900

NEW

Differential Pressure Manometer

KRONE CORPORATION   



VISIBILITY
IMPROVEMENT ©
**High Contrast
LCD panel**
(color:White)

*Incorporated all the features like this one can be almost
all the low-differential pressure measurement and control.*

The KS2900 is a very small sized digital difference pressure indicator which incorporates a mono-lithic silicon semiconductor pressure sensor.

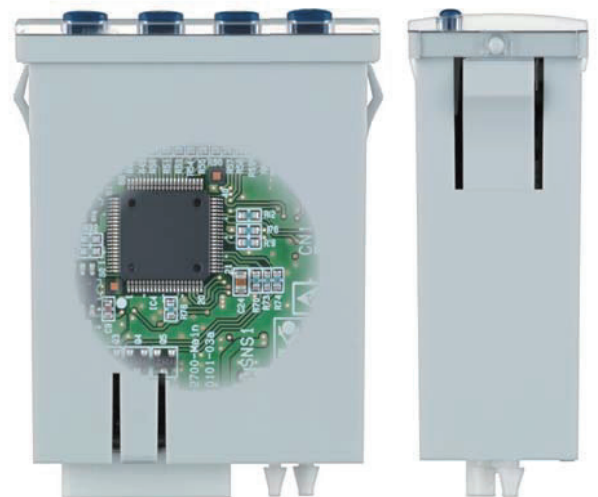
It is the best solution to very low pressure measurement.

KS2900 is designed for the application of the semiconductor device equipment such as Coetar Developer,

Cleaning and Furnace etc and has two transistor output(NPN or PNP(option)) and analog output 4-20mA or 1-5V(Optional).

Product features

- Adopt High Contrast LCD
- Energy conservation
- Display time rate constants adjustable
- Hysteresis and delay output control
- Hi.Go.Lo.open collector output switches
- Fail safe design
- Short warm-up time
- Calibration Certificate Available
- UL/CE



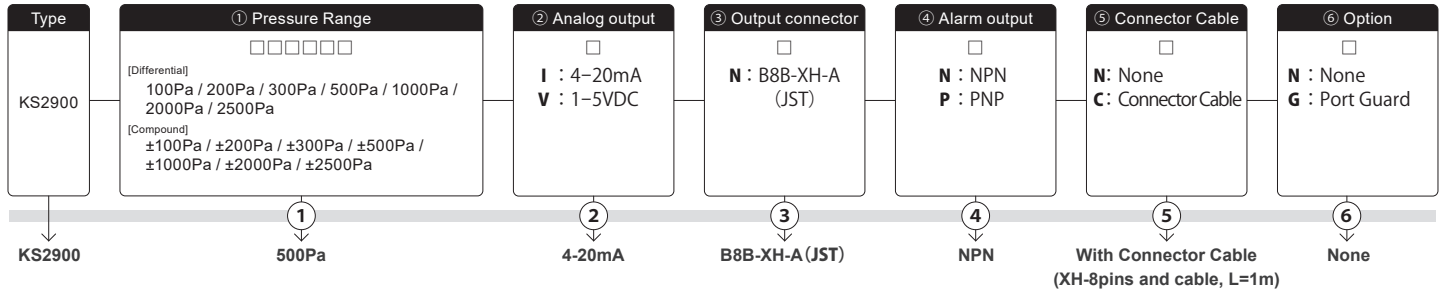
*full size



KS2900
Stand
(option)

*Setting image

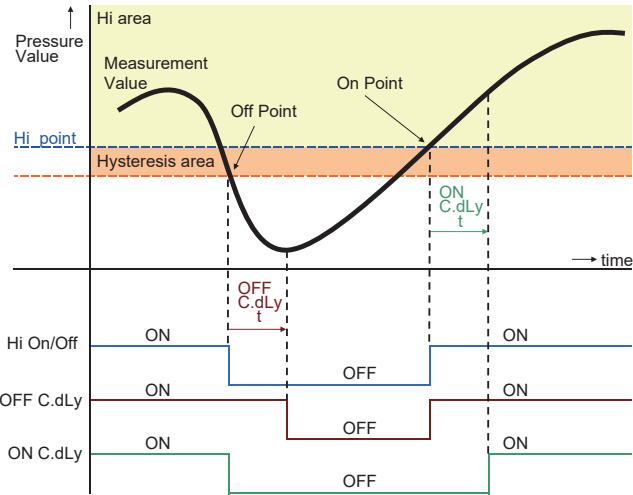
[Order code]



ex. Order code **KS2900-500Pa-I-N-N-C-N**

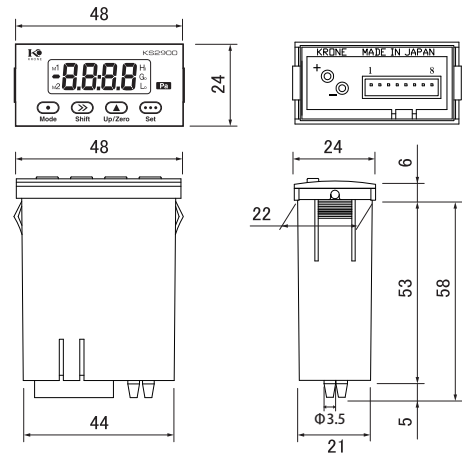
■ Overview of setting function

1. Analogue and NPN open corrector output
2. Hysteresis and Window Mode
3. Delay Output
4. Manual ZERO adjustment
5. Display time rate
6. Simple Moving Average
7. Low Value Cut Mode
8. ZERO Suppress
9. Other function available

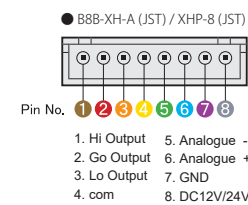


■ Specification						
Pressure Range (Pa)	Differential	0-2500	0-500	0-1000	0-300	0-100
	Compound	0-±2500	0-±500	0-±1000	0-±300	0-±100
* Other pressure range on request						
Pressure Mode	Differential pressure mode by semiconductor element					
Media	Air and Non-corrosive dry gases only					
Accuracy	±1.0 % F.S.	±1.0 % F.S.	±1.0 % F.S.	±1.5 % F.S.	±3.0 % F.S.	
Display Accuracy	Above-mentioned accuracy ±1digit					
Thermal specification	Less than ±0.1%F.S./°C				Less than ±0.15%F.S./°C	
Pressure overload	7.5 kPa	5.0 kPa	5.0 kPa	5.0 kPa	5.0 kPa	
Pressure port	Outside diameter : Max Φ3.5mm x 2					
Display	4-digit(Full) / LCD display					
Pressure	4-digit LCD (Unit : Pa)					
Alarm	Hi / Go / Lo 3points LCD display					
Low-cut	Max. 5%					
Zero adjusting	Manual Zero *Carry out regularly.					
Analog output	4-20mA / 1-5VDC (Option)					
Alarm output	Hi / Go / Lo 3points					
Set up	Digital set up					
Pressure setting range	Hi & Lo 0 ~ 100% FS					
Output	NPN Transistor open corrector					
Load current (Max)	50mA (Vol = 0.6V)					
Applied power (Max)	Less than 35VDC					
Power supply	DC12V or DC24V (±10%)					
Power consumption	1W (In that case 20mA output and back-light on)					
Electric connection	8-pin connector					
Operating temperature	0°C ... +50°C (Not be freeze)					
Operating humidity	35% ... 85% (Not be condensation)					
Storage temperature	-20°C ... +70°C					
Warming up	Over 5 minutes					
IP code	IP40 (Indoors)					
Installation	Panel mount (Cut dimension : 45.0(W) x 22.2(H) tolerance : +0.2/-0.0mm)					
Weight	Approx. 40gram					
CE Marking	CE, UL, RoHS					

■ SIZE



■ CONNECTOR



■ Port Guard (option)



*Recommended tube
φ4×2.5 urethane U2 (Rigid)
φ4×3 PFA (Rigid)

■ OPTION



*KS2900 Stand



*Connection cable (1m)